



Techni
ENGINEERING SOLUTIONS

RENAULT KANGOO / NISSAN NV200
DCI 75 / 85 / 105

CODE / CODICE: 0500.6782

**COMPRESSOR / COMPRESSEUR / KOMPRESSOR
/ COMPRESSORE / COMPRESOR :**

SELTEC TM15

QUE QP15

FITTING INSTRUCTIONS

EINBAUANLEITUNGEN

INSTRUCTIONS POUR LE MONTAGE

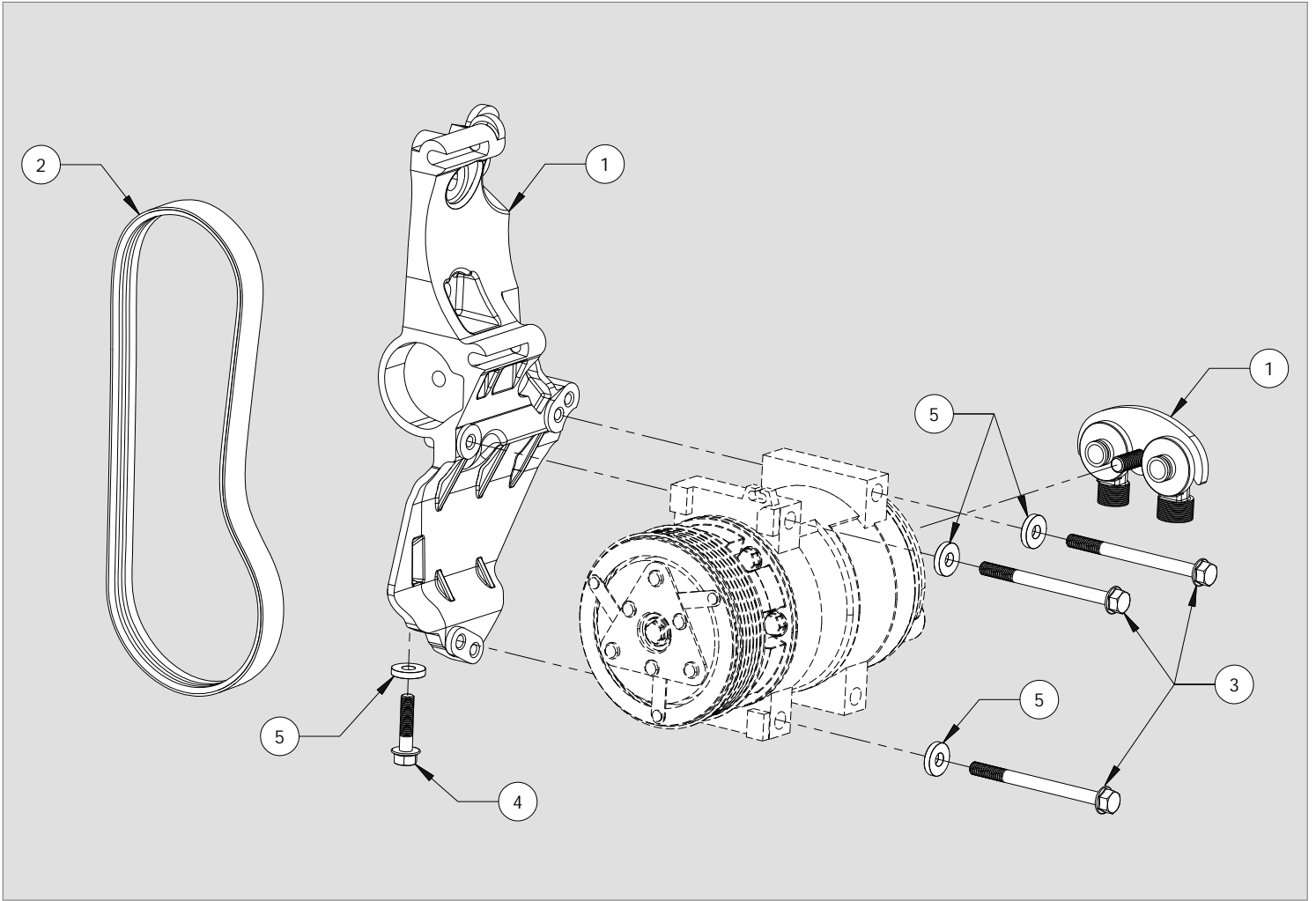
ISTRUZIONI DI MONTAGGIO

INSTRUCCIONES DE MONTAJE

Contents

ENGLISH	4
Parts View.....	4
Parts List	5
Compressor Configurations	6
Standard Fastener Torque Values	6
Kit Details	7
Vehicle Details	7
Forward	7
Pre Installation.....	8
Installation	8
Mount Bracket Installation	9
Compressor Installation.....	10
Drive Belt	10
Finish	10

PARTS VIEW / VUE ÉCLATÉE / TEILEANSICHT / VISTA PARTA / IMÁGENES DE LAS PIEZAS



PARTS LIST / NOMENCLATURE / TEILELISTE / ELENCO DELLE PARTI / LISTA DE PIEZAS

ITEM	CODE / CODICE / KODE / CODIGO	DESCRIPTION / DESCRIZIONE / BESCHREIBUNG / DESCRIPCION	QTY.	COMMENTS
1	0440.5271	Mount Bracket	1	-
2	0820.5671	Belt - Poly Groove 6PK 1185	1	-
3	2704.5361	Hex flange bolt - M8 x 100 : 1.25 - 8.8	3	-
4	2704.1021	Hex flange bolt - M8 x 35 : 1.25 - 10.9	1	-
5	2808.5001	Washer M8 Flat DIN 7349 OD21 x ID8.4 x L4	4	-
6	0425.0521	Manifold Assembly Adjustable 3/4 x 7/8	1	-

**COMPATIBLE COMPRESSORS / COMPRESSEURS RECOMMANDÉS / EMPFOHLENE KOMPRESSOREN
RACCOMANDATO COMPRESSORI / RECOMENDADAS COMPRESORES**

SELTEC	-	TM15-HS	-
Comp No	-	0385.5241	-
Valeo No.	-	-	-
Mounting	-	Direct	-
Rotor	-	6PV	-
GL	-	-	-
Armature	-	SL	-
Diameter	-	123	-
Voltage	-	12	-
Orientation	-	V	-
Fitting	-	3/4 x 7/8	-
Manifold	-	Bolt	-

QUE	-	QP15-HD	-
Comp No	-	0385.5241	-
Que No.	-	-	-
Mounting	-	Direct	-
Rotor	-	6PV	-
GL	-	-	-
Armature	-	SL	-
Diameter	-	123	-
Voltage	-	12	-
Orientation	-	V	-
Fitting	-	3/4 x 7/8	-
Manifold	-	Bolt	-

SANDEN	-	-	-
Comp No	-	-	-
Sanden No.	-	-	-
Mounting	-	-	-
Rotor	-	-	-
GL	-	-	-
Armature	-	-	-
Diameter	-	-	-
Voltage	-	-	-
Orientation	-	-	-
Fitting	-	-	-

NOTES

STANDARD FASTENER TORQUE VALUES

In the absence of specific torque values detailed in this fitting instruction manual, the following chart can be used as a guide to the maximum safe torque for specific size and grade of fastener.

COUPLES DE SERRAGE DES FIXATIONS STANDARDS

Si des chiffres de serrage au couple particuliers ne sont pas indiqués dans cette notice de montage, se référer au tableau suivant qui servira de guide pour le couple de sécurité maximum correspondant à une taille et un grade spécifiques de fixation.

ANZIEHMOMENTE FÜR STANDARDBEFESTIGUNGSMITTEL





Falls in dieser Einbauanleitung keine speziellen Anziehmomente angegeben sind, kann die folgende Tabelle als Richtlinie für das maximale sichere Anziehmoment für eine spezifische Größe oder Qualität von Befestigungsmitteln dienen.

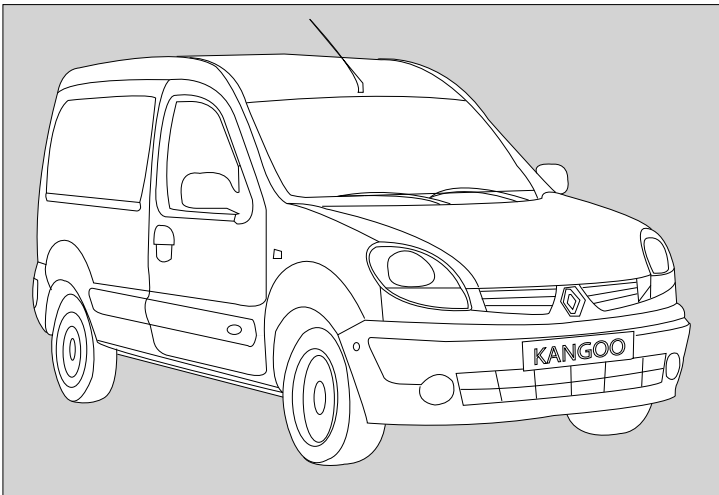
VALORI STANDARD DI SERRAGGIO PER DISPOSITIVI DI FISSAGGIO

In assenza di valori specifici di coppia nel presente manuale di istruzioni, si può utilizzare la seguente tabella come guida per conoscere la coppia massima sicura in base a dimensioni e grado del dispositivo di fissaggio.

VALORES ESTÁNDAR DE LOS PARES DE APRIETE Y FIJACIÓN

En ausencia de valores para los pares de apriete específicos detallados en este manual de instrucciones de montaje, se puede utilizar la siguiente tabla como guía para consultar el máximo par de torsión seguro para un tamaño concreto y su grado de fijación.

STRENGTH								
	Max Torque		Max Torque		Max Torque		Max Torque	
Dia / Pitch	lb.ft	Nm	lb.ft	Nm	lb.ft	Nm	lb.ft	Nm
M5 x 0.80	2	3	4.5	6	6.5	9	7.5	10
M6 x 1.00	4	5.5	7.5	10	11	15	13	18
M8 x 1.25	10	13	18	25	26	35	33	45
M10 x 1.25	20	27	39	53	57	78	66	90
M10 x 1.50	18	25	37	50	55	73	63	86
M12 x 1.75	33	45	63	85	97	130	111	150
M14 x 2.00	55	75	103	140	151	205	177	240
M16 x 2.00	85	115	159	215	232	315	273	370



VEHICLE DETAILS

Manufacturer	Renault / Nissan
Make	Kangoo / NV200
Model	1.5 Dci
Engine CC	Dci 75, 85, 105
Engine Details	K9K
Year	10.2009 >
Chassis Nos.	N/A
LHD	YES
RHD	YES
PAS	YES
A/C	NO
Voltage	12v

KIT DETAILS

Kit Part No.	0500.6782
Description	Mount Kit
Compressor RPM	4800 @ Max Engine
	Power Output
Fitting Time	120 Minutes
Suction Fitting	45°
Discharge Fitting	45°
Belt Type	6PK 1185
Belt Part No.	0820.5671

FOREWORD

The purpose of this manual is to facilitate the installation of a direct drive compressor. The information given is merely instructive, should any complications arise contact the Technical department. The manufacturer's warranty does not cover any problems caused by defective installation or alterations made unless authorised. The manufacturer shall not be responsible for any injury, damage or loss caused directly or indirectly as a result of using this manual or the information contained within it.

1 SAFETY MEASURES:

Before fitting the Compressor adapter drive kit, ensure the following for damage:

- a Inner and outer trim and body work
- b Engine idle pace
- c Check all the vehicle functions

Check list:

- a Ensure that the right kit has been selected
- b Before installing, check that all the correct pieces are present; also ensure that there are no missing or broken pieces
- c When fitting, make sure the vehicle is properly protected against damage.

Installation apparatus

- a Calibrated torque wrench
- b Hand service tools
- c Protective covers and shields

2 PRECAUTIONS

- a Detach the battery negative lead.
- b Torque all bolts where stated using a calibrated torque wrench.
- c Take extreme care with moving parts.
- d Remove the vehicle's ignition key and keep it with you.
- e Wear safeguards and make sure that liquid refrigerant never touches your skin

Caution: Measures must be followed accurately to steer clear of the possibility of damage to individuals

Warning: This calls awareness to actions which must be pursued to avoid damage to the components.

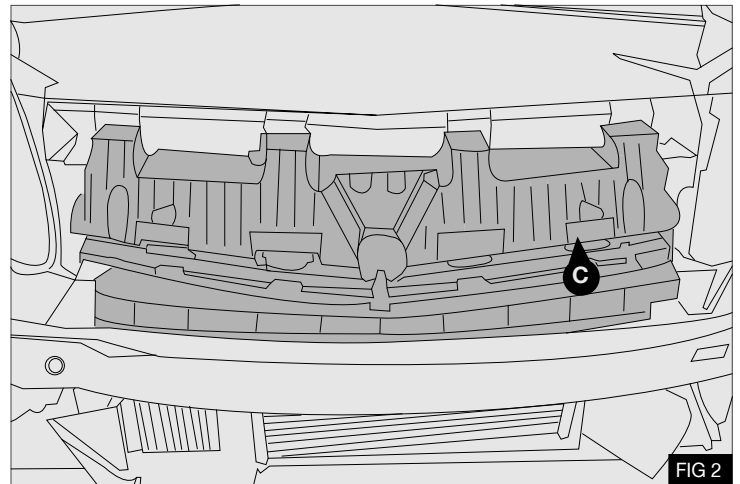
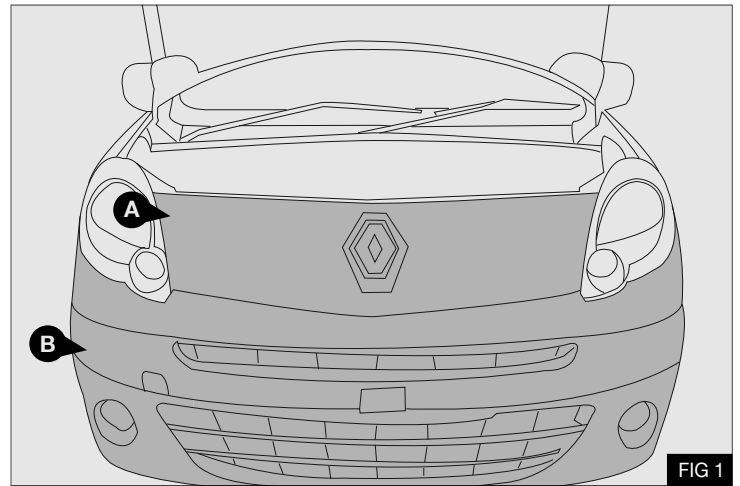
NB: This calls awareness to make the job easier or gives useful information.

PRE-INSTALLATION

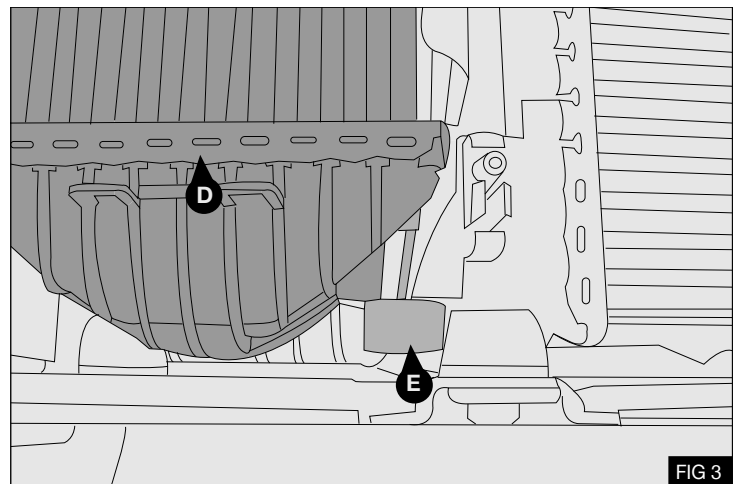
N.B Before proceeding please read the installation precautions. The letters on drawings relate to text, numbers circled relate to the parts list in this manual.

INSTALLATION

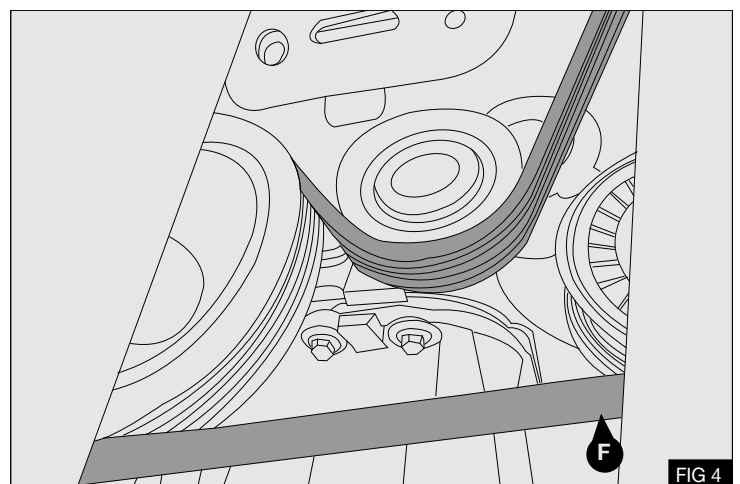
1. Remove the radiator grill (A) – Fig 1
2. Remove the fasteners from the front section of both wheel arch liners. Remove the front bumper (B) – Fig 1
3. Remove the bumper reinforcement (C) – Fig 2



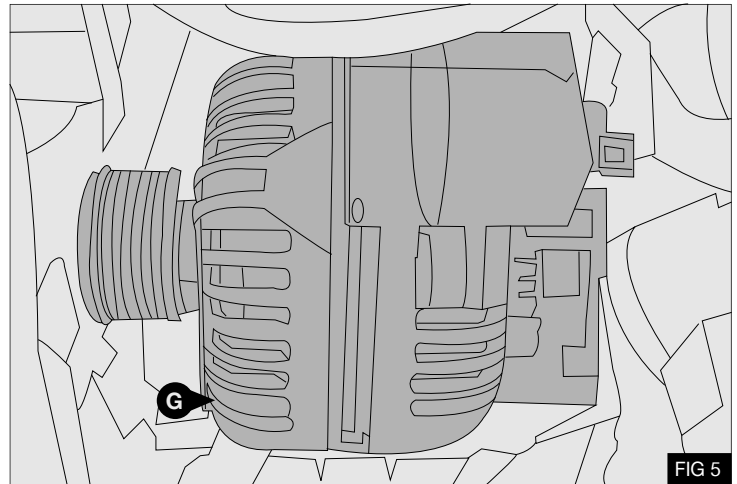
4. Un-clip the bottom of the intercooler (D) at position (E) and remove the intercooler from the vehicle – Fig 3



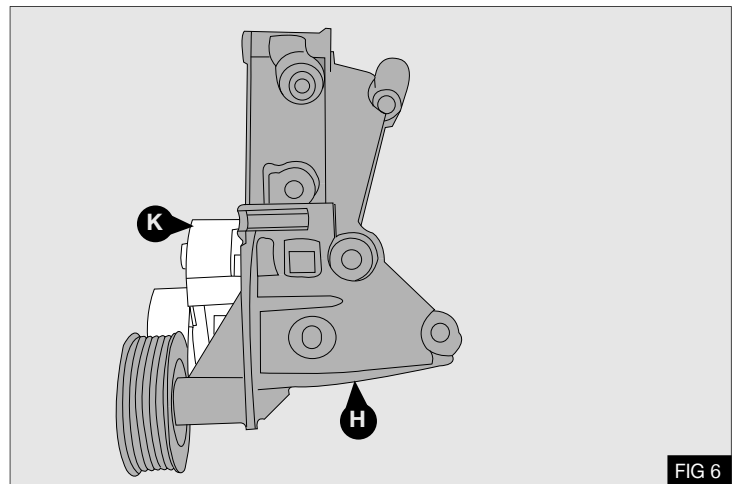
5. Remove and discard the original drive belt (F) – Fig 4



6. Disconnect the wiring from the alternator (G) and remove the alternator (G) from the vehicle, retain the original fixing bolts (J) - Fig 5
7. Remove the alternator mount bracket (H) noting the position of the original fasteners (J).



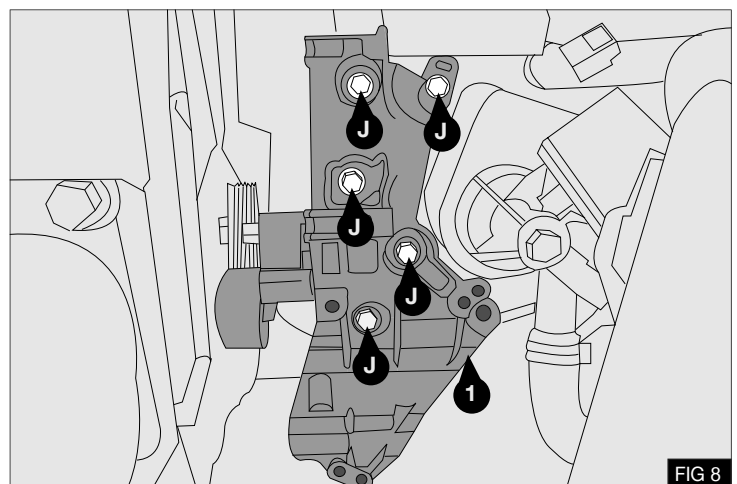
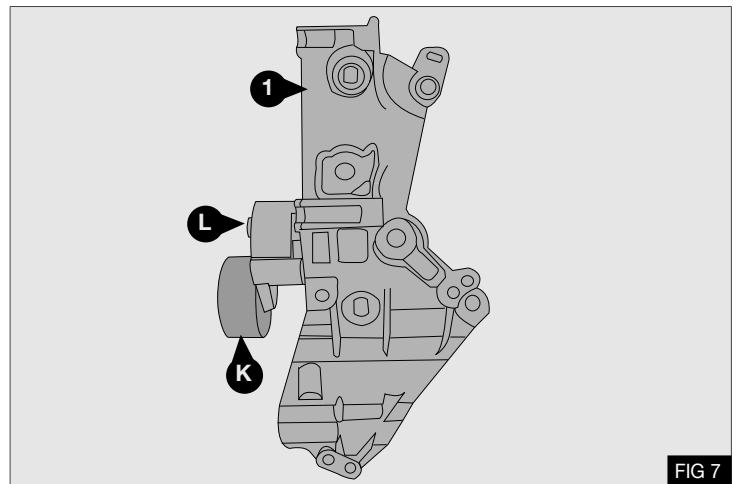
8. Remove the automatic tensioner (K) from bracket (H). Discard Bracket (H) - Fig 6



MOUNT BRACKET INSTALLATION

NB: Please refrain from using "Loctite" unless otherwise notified.

1. Install the original automatic tensioner (K) to the supplied mount bracket (1) using the original fastener (L). Torque bolt (L) to 40 Nm / 29.5 lb ft using a calibrated torque wrench - Fig 7
2. Install the compressor mount bracket (1) to the engine using the original bolts (J) in their original locations, do not fully tighten bolts (J) at this stage - Fig 8



3. Secure the bottom of compressor mount bracket (1) to the sump using bolt (4) with washer (5) - Fig 9
4. Torque bolts (J) to 45 Nm / 33 lb ft – Fig 8, Torque bolt (5) to 25 Nm / 18.4 lb ft - Fig 9

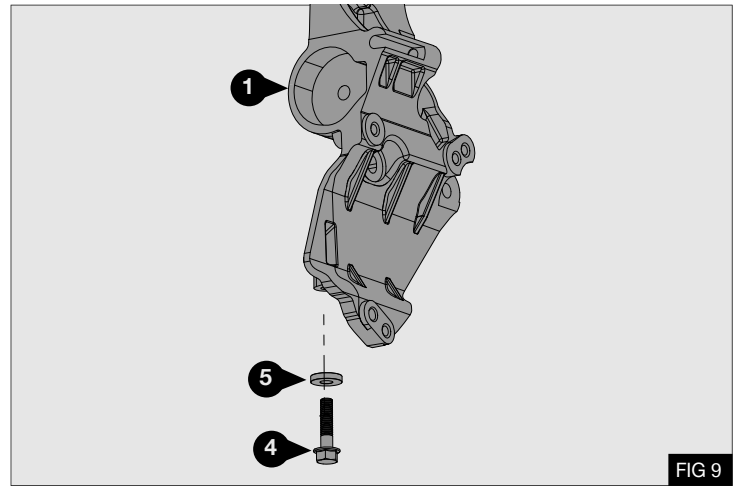


FIG 9

COMPRESSOR INSTALLATION

1. Install the supplied compressor manifold (7) in the orientation shown opposite. Torque the securing bolt of the manifold (7) to 34 Nm / 25 lb ft - Fig 10
2. Install the compressor to the mount bracket (1) using the 3x M8x100 bolts (3) fitted with washers (5). Torque bolts (3) to 20 Nm / 15 lb ft using a calibrated torque wrench - Fig 10
3. Re-fit the alternator (G) and secure using the original fasteners. Torque the alternator fixing bolts to 25 Nm / 18.4 lb ft. Re-fit the wiring to the alternator.

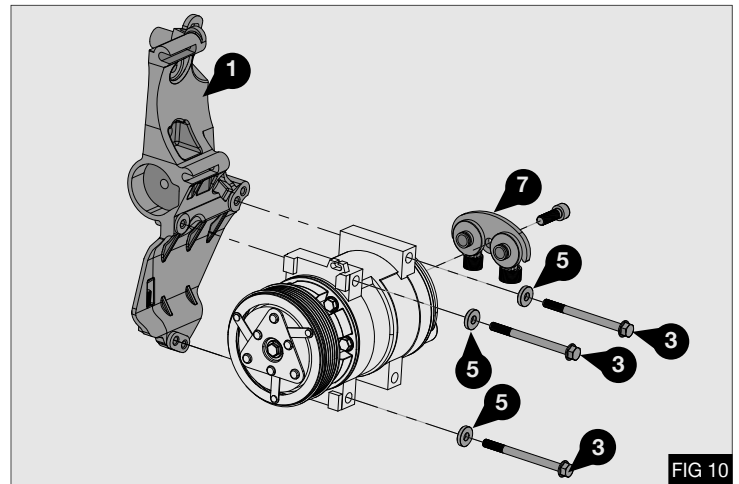


FIG 10

DRIVE BELT

1. Install the drive belt (2) as shown opposite - Fig 11
- A. Crankshaft pulley
 B. Tensioner
 C. Alternator
 D. Compressor

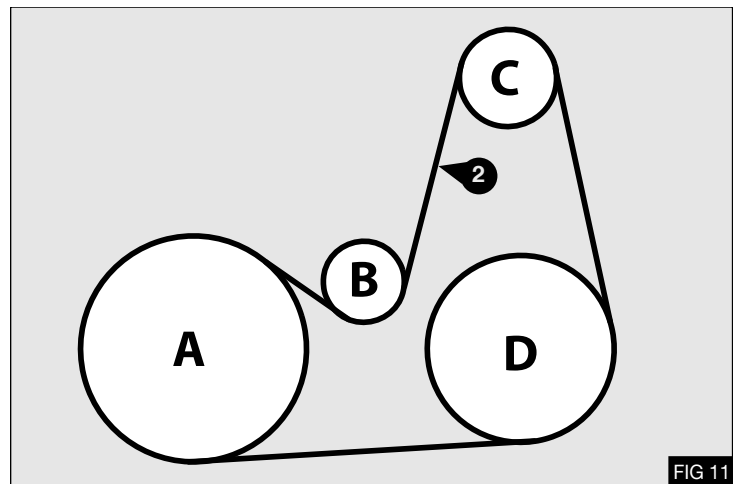


FIG 11

FINISH

1. Refit the intercooler (D)
2. Run the engine with the compressor clutch engaged for five minutes, Check all components.
3. Refit the bumper reinforcement (C), wheel arch liners, bumper (B) and the radiator grill (A)
4. Install the supplied belt label in the engine bay.

(EN)

Techni focuses on constant upgrading of its products. The Manufacturer reserves the right to modify the models and components described in the present publication at any time for technical or commercial reasons and without prior notice. For further information, contact Techni technical services.

(DE)

Techni ist stets bestrebt die eigenen Produkte zu verbessern. Die Herstellerfirma behält sich das Recht vor, aus technischen oder Verkaufsgründen, zu jeder Zeit und ohne vorherige Ankündigung, Abänderungen an den Modellen und den in dieser Veröffentlichung beschriebenen Einbauteile vorzunehmen. Für weitere Informationen bitten wir Sie, sich an unseren Techni Kundendienst zu wenden.

(FR)

Techni vise à une amélioration constante des ces produits. La maison se réserve le droit d'apporter, à tout moment et sans préavis, des modifications aux modèles et aux composants décrits dans cette publication pour des raisons d'ordre technique ou commerciale. Pour d'ultérieures informations s'adresser au service d'assistance Techni.

(IT)

Techni mira ad un costante miglioramento dei propri prodotti. La Casa si riserva il diritto di apportare in qualunque momento e senza preavviso modifiche ai modelli e ai componenti descritti in questa pubblicazione per ragioni di natura tecnica o commerciale. Per ulteriori informazioni rivolgersi al servizio assistenza Techni.

(ES)

Techni aspira a un constante mejoramiento de su producción. La Fábrica se reserva el derecho de aportar en cualquier momento y sin preaviso modificaciones a los modelos y los componentes descritos en esta publicación por razones técnicas o comerciales. Para ulteriores informaciones dirigirse al servicio asistencia Techni.

VENDITA E SERVIZIO
VENTE ET SERVICE

SALES AND SERVICE
VERKAUF UND SERVICE



Sundorne Trade Park, Henley Way,
Shrewsbury, United Kingdom, SY1 4NS
Telephone (+44) (0) 1743 443176
Fax (+44) (0) 1743 443113
Email: sales@techni.co.uk